

Noa

B&T



Noa

Low Table

Indoor



Noa

Low Table

Noa

With its minimal form it is ready to fit in different styles and different spaces.

Noa, which comes in contact with the round pedestal base, has a square table and is produced at two different heights.

The rounded form of the tablets reveals formal balance with the foot.

Indoor

With its minimal form it is ready to fit in different styles and different spaces.

Top part of the table offered in black or white lacquer, veneer, as well as black or white carrera marble. Base will be painted in matching black or white paint. Can also be ordered in vintage looking brushed gold or brass finish.



Designer

Alp Nuhoplu - 2009

Noa

Low Table

Indoor

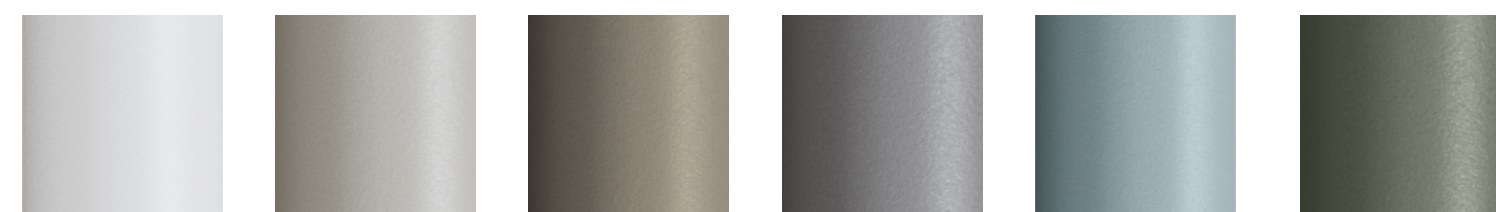


Finish Options

A rich range of material choices is provided for Noa series to create the best match within interior style.

Metal Leg Finishes

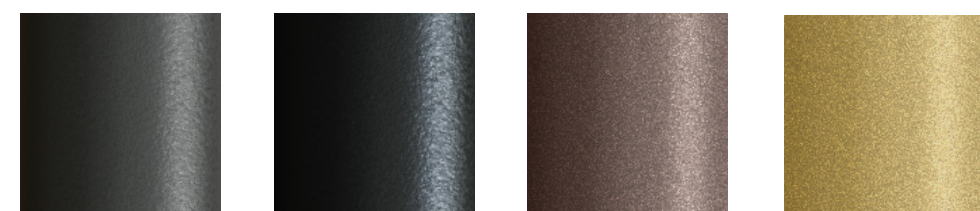
Electrostatic Powder Coating



White RAL 9016 Silk Grey RAL 7044 Precious Sand Taupe G 876 Nordic Lichen Green Grey RAL 7009



Cement Grey RAL 7033 Beige Red RAL 3012 Terracotta RAL 8004 Pale Brown RAL 8025 Black Red RAL 3007 Grey G 458



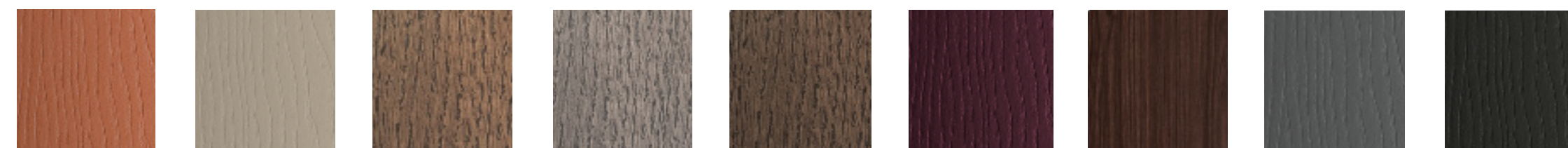
Anthracite RAL 7016 Black RAL 9005 Bronze Gold

Top Materials

Veneer (18 mm)



White RAL 110-1 (Ash) Natural (Ash) Silk Grey RAL 7044 (Ash) Taupe G 876 (Ash) Smoke Grey (Oak) Cement Grey RAL 7033 (Ash) Green Grey RAL 7009 (Ash) Nordic Lichen (Ash) Beige Red RAL 3012 (Ash)



Terracotta RAL 8004 (Ash) Precious Sand (Ash) Light Brown (Oak) Pale Brown RAL 8025 (Ash) Dark Brown (Oak) Black Red RAL 3007 (Ash) Walnut Grey G 458 Anthracite RAL 7016 (Ash)



Black RAL 9005 (Ash)

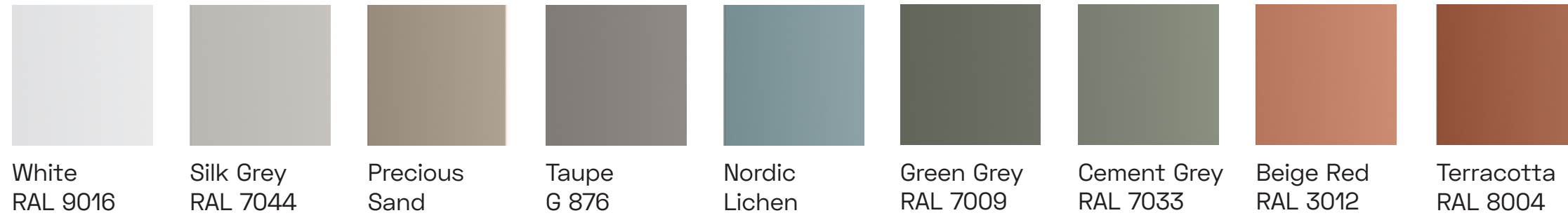
Laminate (18 mm)



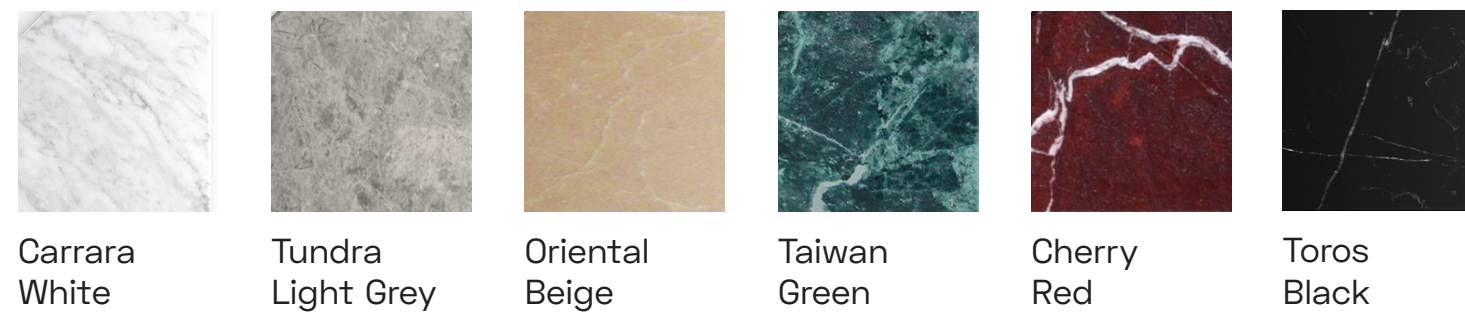
Polar White 3097 Beige Grey 3151 Midnight Ash 3242 Saratoga Cream 4662 Walnut Opera 4481 Black 3190

Top Materials

Lacquer (18 mm)



Marble (20 mm)



Ceramic (6 mm)

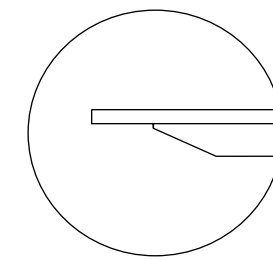


Fenix (18 mm)

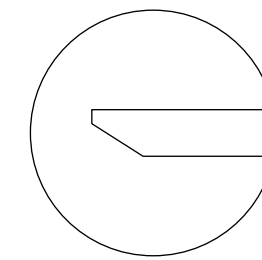


Compact Laminate (12 mm)

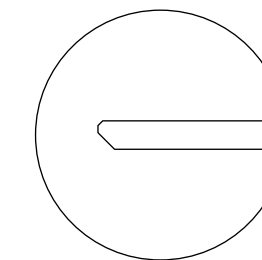
Edge Detail



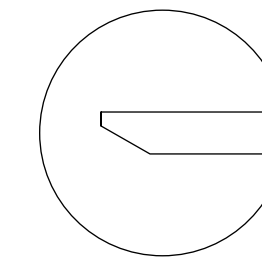
Ceramic (6 mm)



Marble (20 mm)



Compact Laminate (12 mm)



Laminate/Lacquer/Veneer/Fenix (18 mm)

More options are downloadable in the catalogues



Models of Product

Square & Rectangular



Round



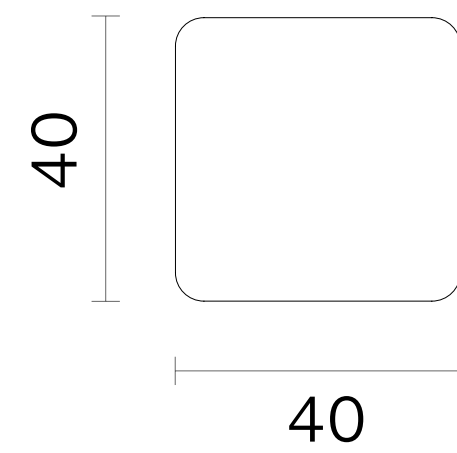
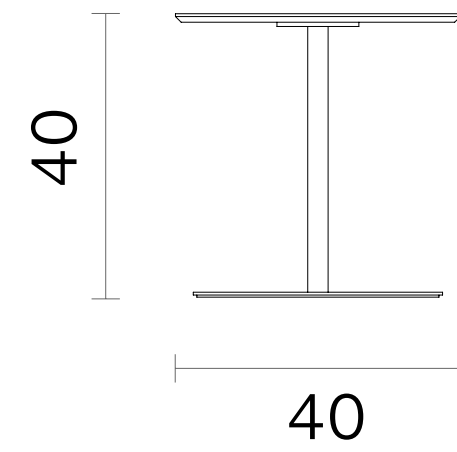
Models of Product

Laptop

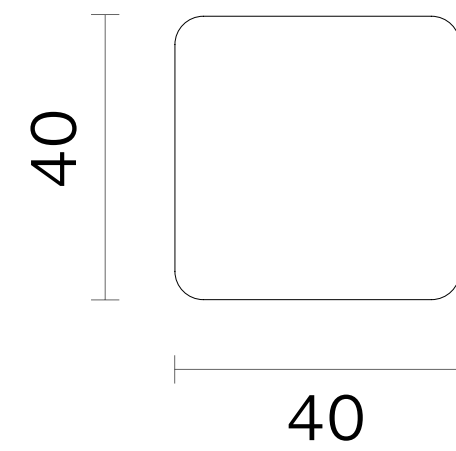
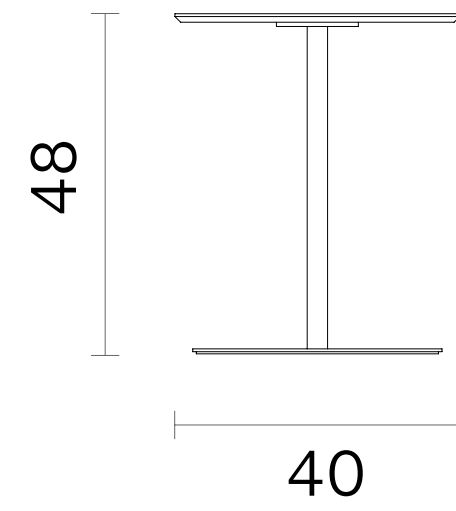


Dimensions (cm)

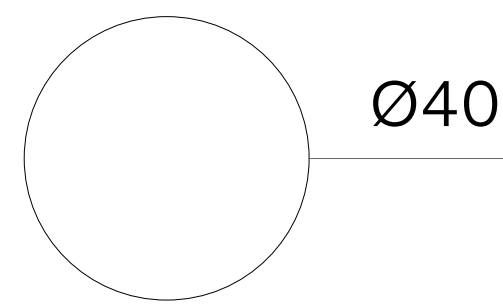
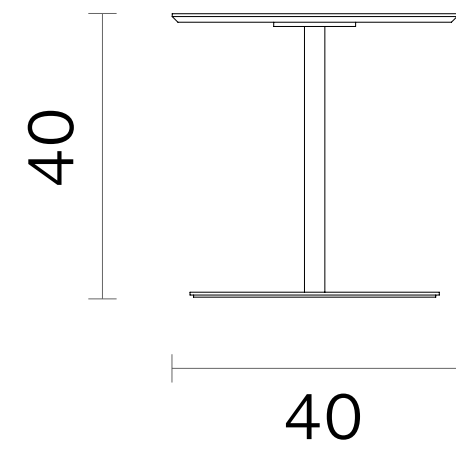
Square & Rectangular
40x40x40h



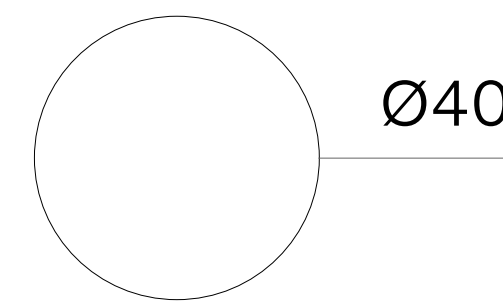
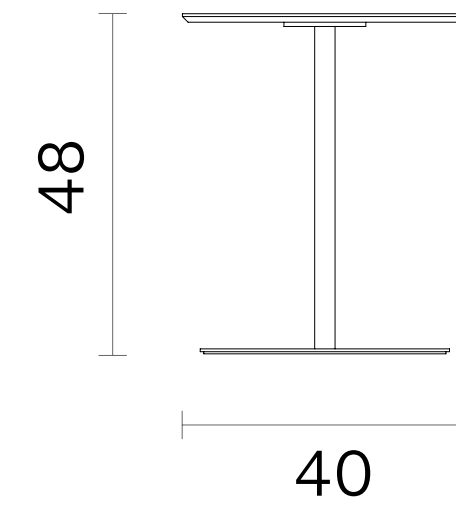
Square & Rectangular
40x40x48h



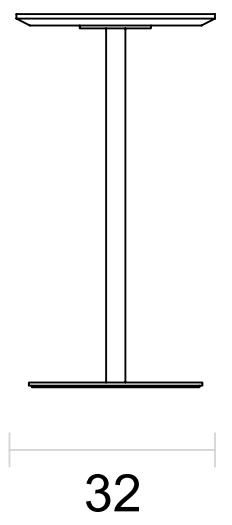
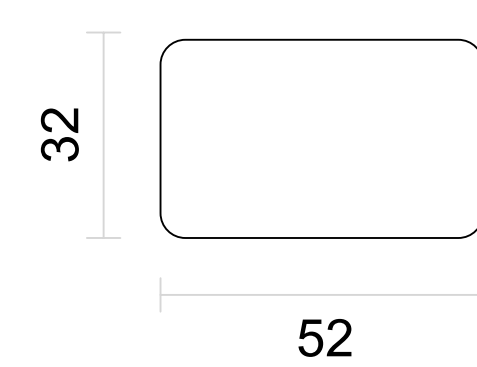
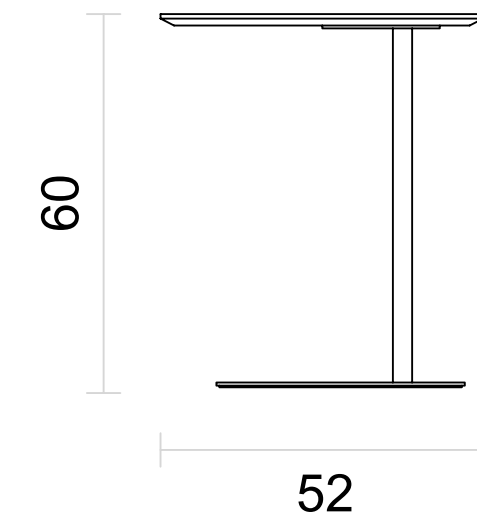
Round
ø40x40h



Round
ø40x48h



Laptop



Downloads

2D & 3D FILES



PRODUCT IMAGES



CERTIFICATES



You can run this product with following system:



Noa

Low Table

Indoor



Technical Specifications

Low Table

	Size	Package Dimensions (cm) Quantity in Box: 1	Laminate 18 mm		Lacquer 18 mm		Veneer 18 mm		Fenix 18 mm		Compact 12 mm		Marble 20 mm		Ceramic 6 mm		Base
			Wolume (m³)	Weight (kg)	Wolume (m³)	Weight (kg)	Wolume (m³)	Weight (kg)	Wolume (m³)	Weight (kg)	Wolume (m³)	Weight (kg)	Wolume (m³)	Weight (kg)	Wolume (m³)	Weight (kg)	
Square & Rectangular	40x40x40h	45x45x45	0,09	8	0,09	8	0,09	8	0,09	8	0,09	10	0,09	20	0,09	15	Ø30mm Metal Tube + Ø350mm Flat Metal + Electrostatic Powder Coated
	40x40x48h	52x42x50	0,11	9	0,11	9	0,11	9	0,11	9	0,11	10,5	0,11	28	0,11	23	
	52x32x60h	58x38x65	0,15	13	0,15	13	0,15	13	0,15	13	0,15	15	0,15	45	0,15	41	
Round	ø40x40h	45x45x45	0,09	7	0,09	7	0,09	7	0,09	7	0,09	8,5	0,09	21	0,09	14	
	ø40x48h	52x42x50	0,11	8	0,11	8	0,11	8	0,11	8	0,11	10	0,11	21	0,11	16	

CARE AND MAINTENANCE



Care and maintenance instructions & warranty certificate **click and download**



www.bt.design

Showroom

Istanbul
istanbul@bt.design

Ankara
ankara@bt.design

London
london@bt.design

Factory

Istanbul
fabrika@bt.design

Bulgaria
europa@bt.design

Export

export@bt.design