

Bold

B&T



Bold

Lounge

Indoor



Bold

Lounge

Indoor

Bold

A mobile, energetic and comfortable novelty for indoor settings to offer comfort to people. Bold lounge has a 360-degree rounded shape.

With the presence of an ergonomic back support, Bold lounge reflects its comfort and softness with all of its visual aspects.





Bold lounge, which has a monolithic frame combining the lower support and back, has wheels underneath, enabling it to swivel and allowing easy movement within the space.

Bold

Lounge

Indoor

Designer

Alp Nuhoğlu - 2020

Bold

Lounge

Indoor



Product Details



A low table set on the right or the left side of the lounge according to user's preference transforms it to a pleasant coffee corner or a personal working space. It is a perfect choice for flexible and dynamic working areas.

Bold

Lounge

Indoor



Bold

Lounge

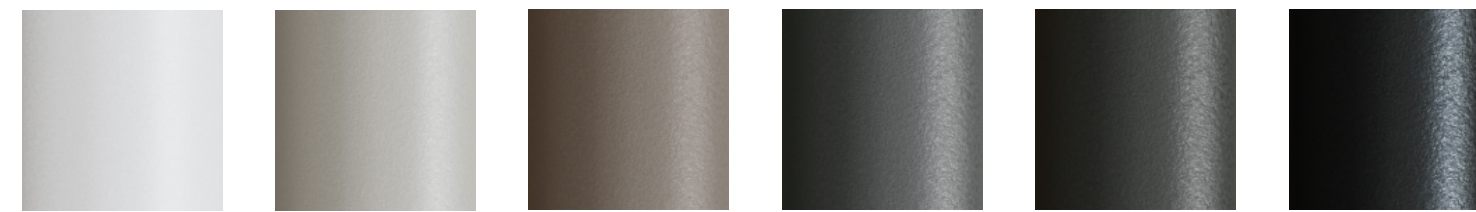
Indoor

Finish Options

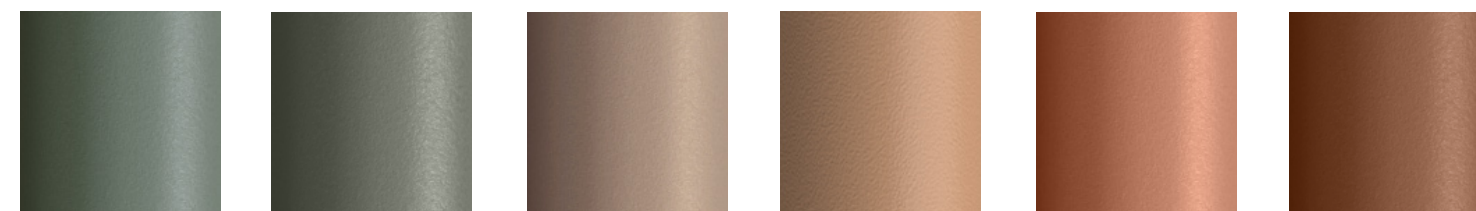
A rich range of material choices is provided for Bold series to create the best match within interior style.

Metal Leg Finishes

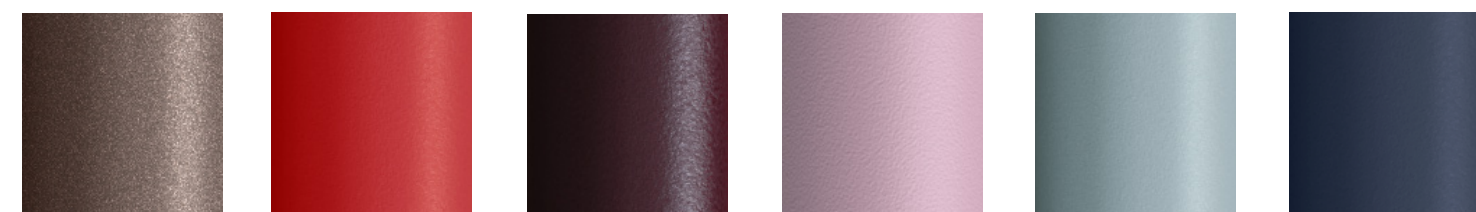
Electrostatic Powder Coating



White RAL 9016 Silk Grey RAL 7044 Taupe G 876 Grey G 458 Anthracite RAL 7016 Black RAL 9005



Cement Grey RAL 7033 Green Grey RAL 7009 Precious Sand Metallic Earth Beige Red RAL 3012 Terracotta RAL 8004



Bronze Tomato Red RAL 3013 Black Red RAL 3007 Pastel Violet RAL 4009 Nordic Lichen Steel Blue RAL 5011



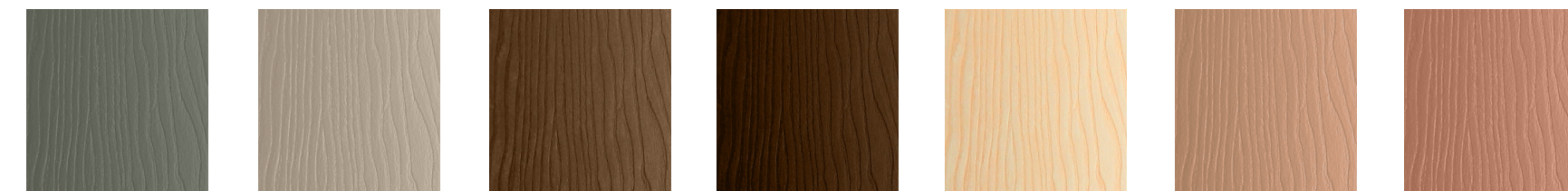
Gold

Table Top Materials

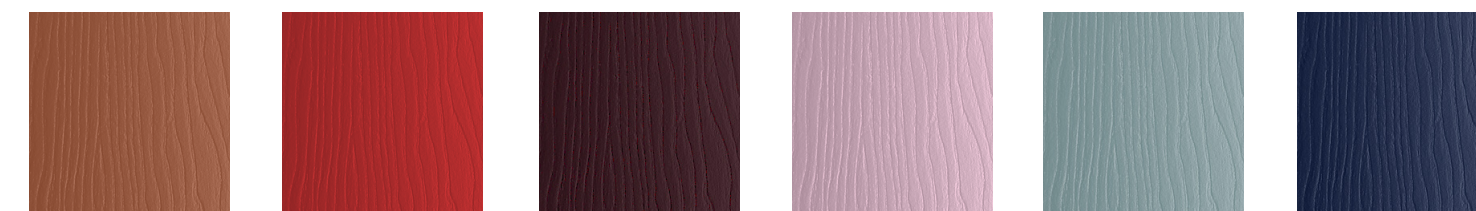
Natural Veneer (18mm)



White RAL 110-1 (Ash) Silk Grey RAL 7044 (Ash) Taupe G 876 (Ash) Grey G 458 (Ash) Anthracite RAL 7016 (Ash) Black RAL 9005 (Ash) Cement Grey RAL 7033 (Ash)



Green Grey RAL 7009 (Ash) Precious Sand (Ash) Light Mocha (Ash) Dark Mocha (Ash) Natural (Ash) Metallic Earth (Ash) Beige Red RAL 3012 (Ash)



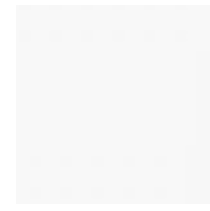
Terracotta RAL 8004 (Ash) Tomato Red RAL 3013 (Ash) Black Red RAL 3007 (Ash) Pastel Violet RAL 4009 (Ash) Nordic Lichen (Ash) Steel Blue RAL 5001 (Ash)

Table Top Materials

Laminate (18 mm)



Black
3190



Polar White
3097



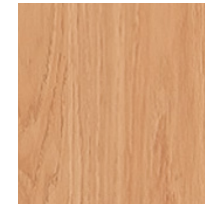
Beige Grey
3151



Midnight
Ash 3242



Walnut
Opera 4481



Saratoga
Cream
4662

Upholstery

Fabric, Leather, Artificial Leather.
COM and COL options are also available

textile fabric (mt)	3
real leather (m ²)	4,5

More options are downloadable in the catalogues

[MATERIAL CATALOGUE](#) 

[FABRIC & LEATHER CATALOGUE](#) 



Bold

Lounge

Indoor

Model of Product

with Tablet Arm



without Tablet Arm



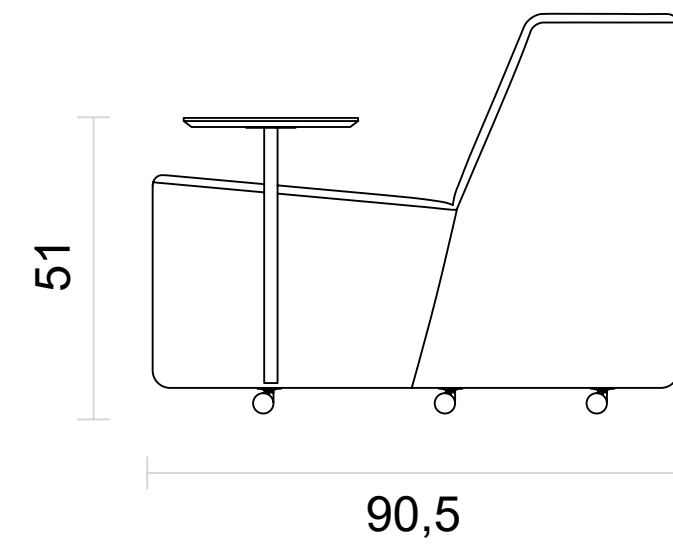
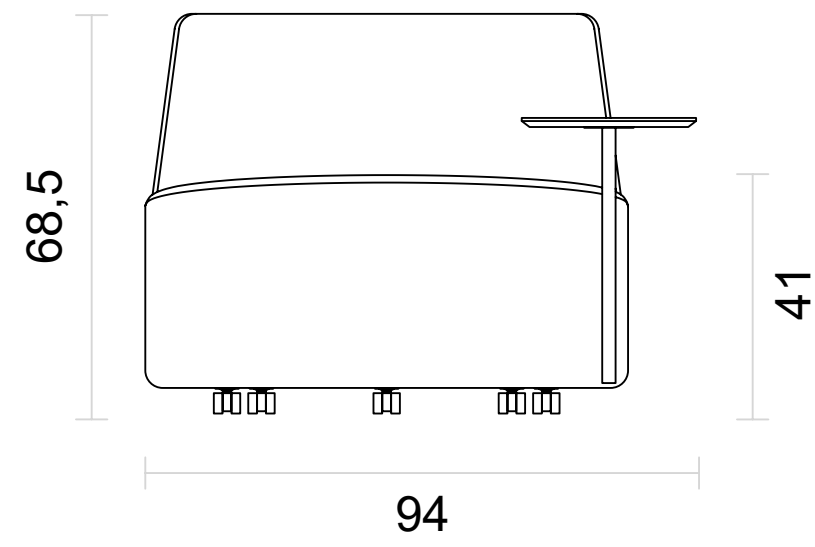
Bold

Lounge

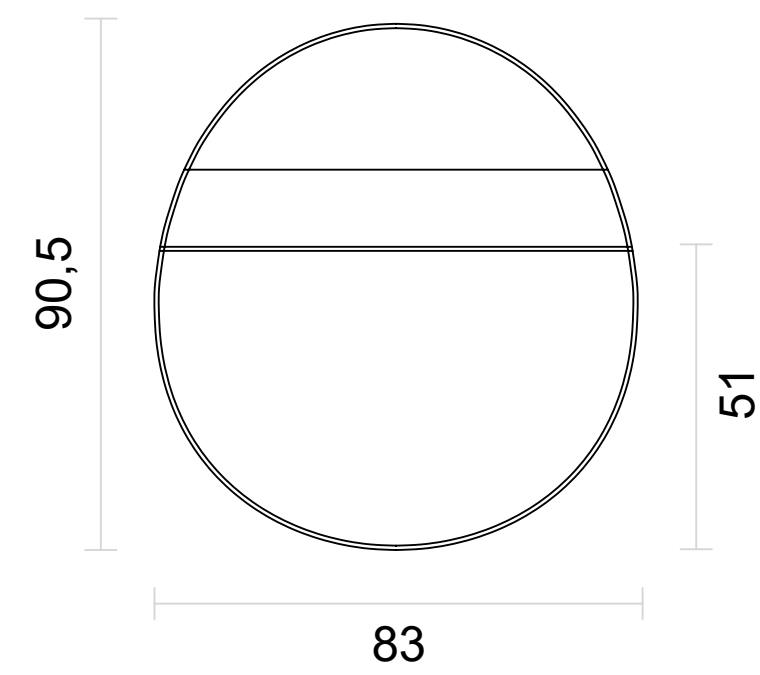
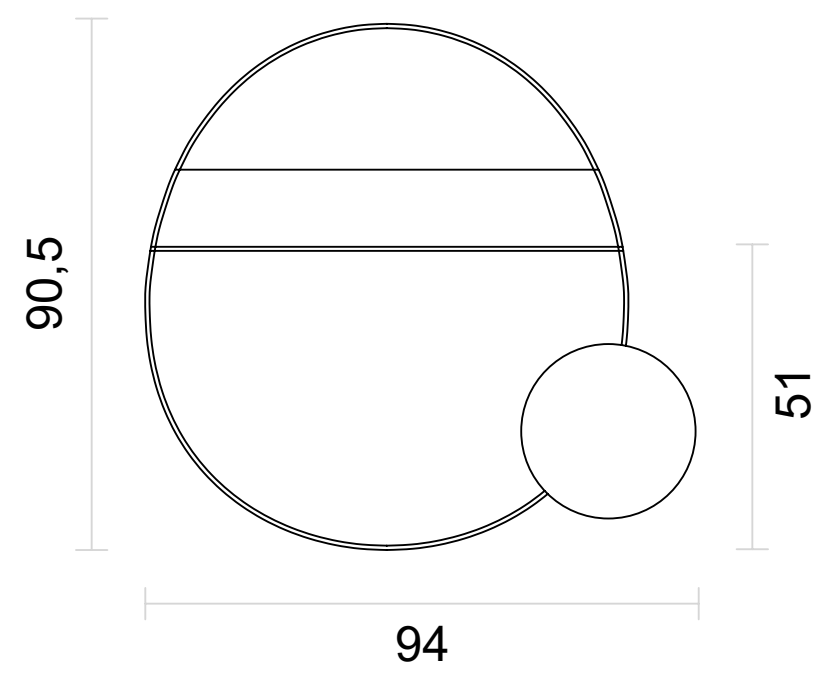
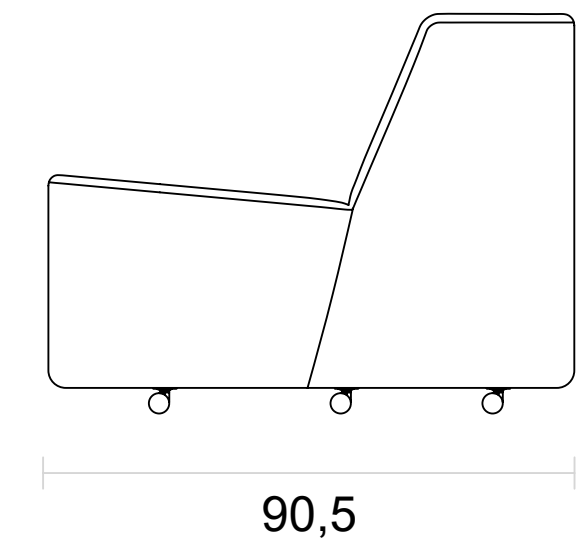
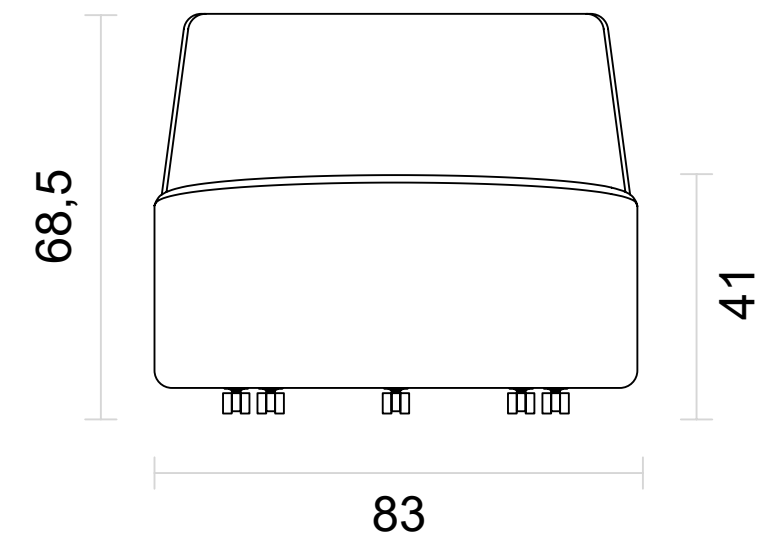
Indoor

Dimensions (cm)

with Tablet Arm



without Tablet Arm



Downloads

2D & 3D FILES 

PRODUCT IMAGES 

CERTIFICATES 

You can run this product
with following system:



Bold

Lounge

Indoor

Technical Specifications		Lounge
Package Dimensions (cm)	with Tablet without Tablet	100x90x80 quantity in box: 1 100x90x80 quantity in box: 1
Volume (m ³)	with Tablet without Tablet	0,72 0,72
Weight (kg)	with Tablet without Tablet	19 18

It has castors for mobility.

Optional ø30cm tablet is fixed (not swivel) and can be fixed on the right or left side of the armchair based on the user's preference. (If not specified, it will be fixed to the left side.)

Please choose metal tube color.

CARE AND MAINTENANCE 

Care and maintenance instructions & warranty certificate **click and download**

Bold

Lounge

Indoor



www.bt.design

Showroom

Istanbul
istanbul@bt.design

Ankara
ankara@bt.design

London
london@bt.design

Factory

Istanbul
fabrika@bt.design

Bulgaria
europa@bt.design

Export

export@bt.design