

Ora

B&T



Ora

Lounge

Indoor



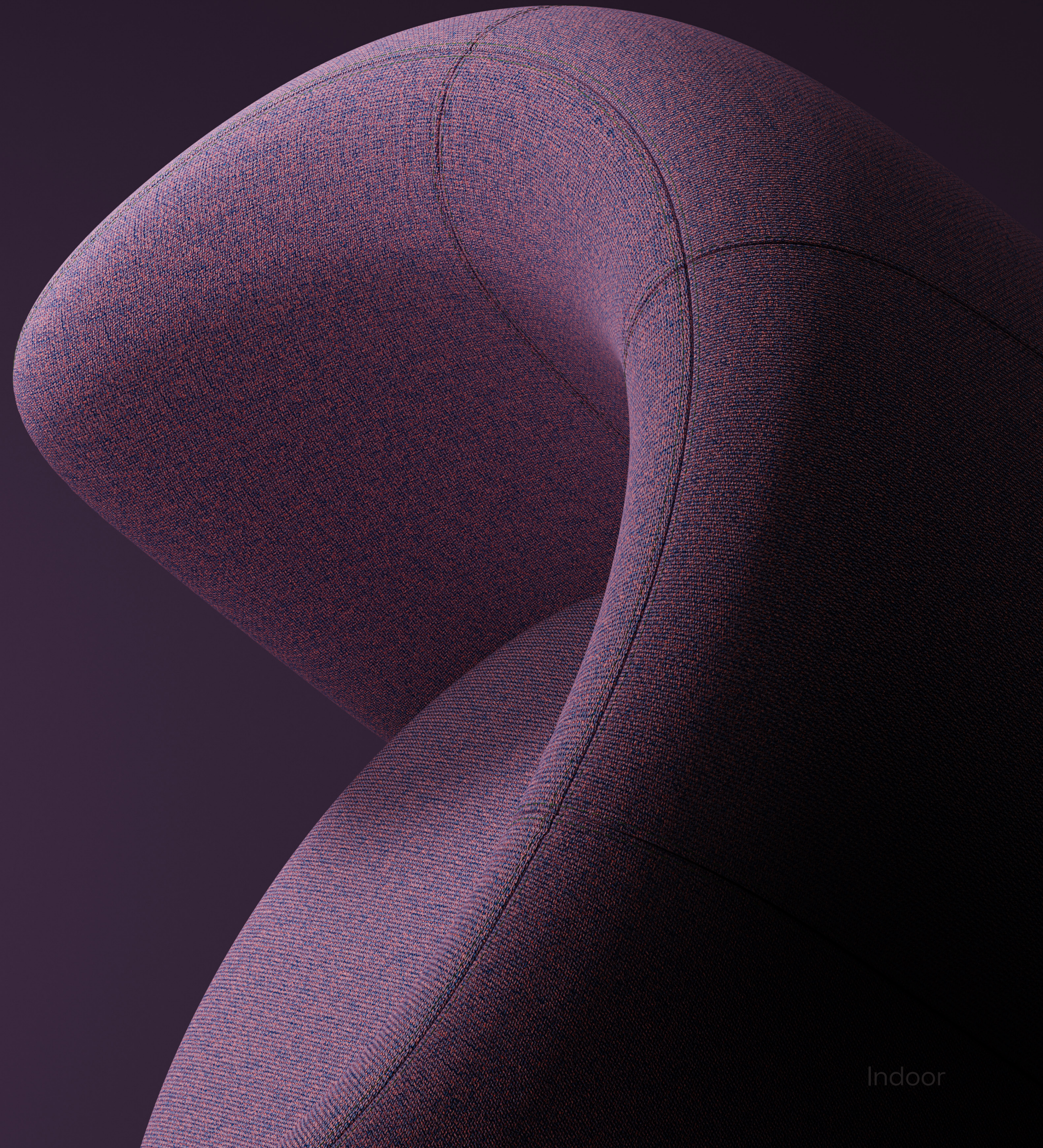
Ora

Lounge

Indoor

ORA

ORA, a piece that brings both simplicity and playful dynamism to its surroundings, stands out with its pronounced curves, visual allure, and a focus on physical comfort.





Its design, featuring the convergence of clean lines between the seat and backrest, and its rounded form carry the endearing charm of neotenic style.

Designer

Alp Nuhođlu - 2023

Ora

Lounge

Indoor





Ora

Lounge

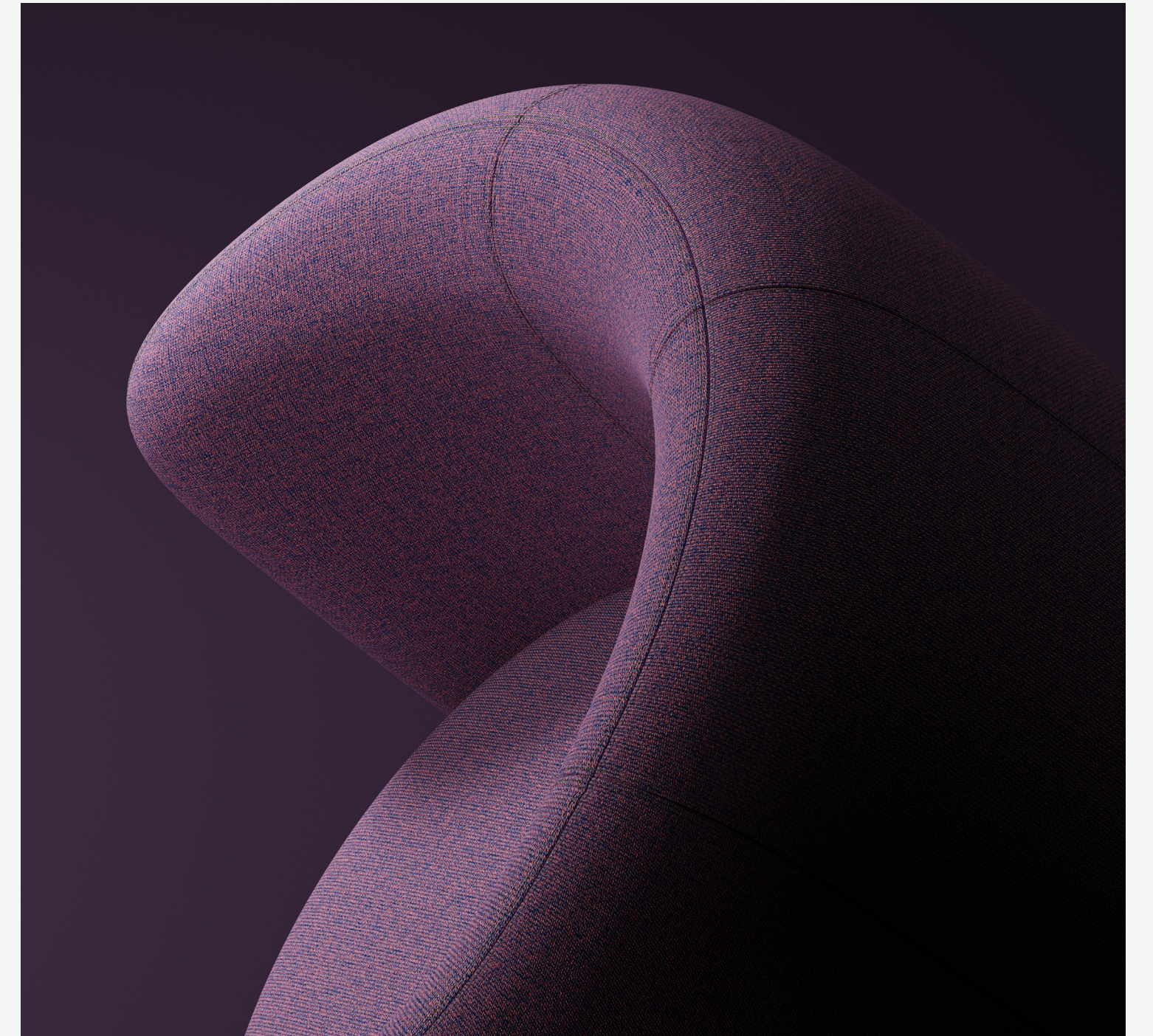
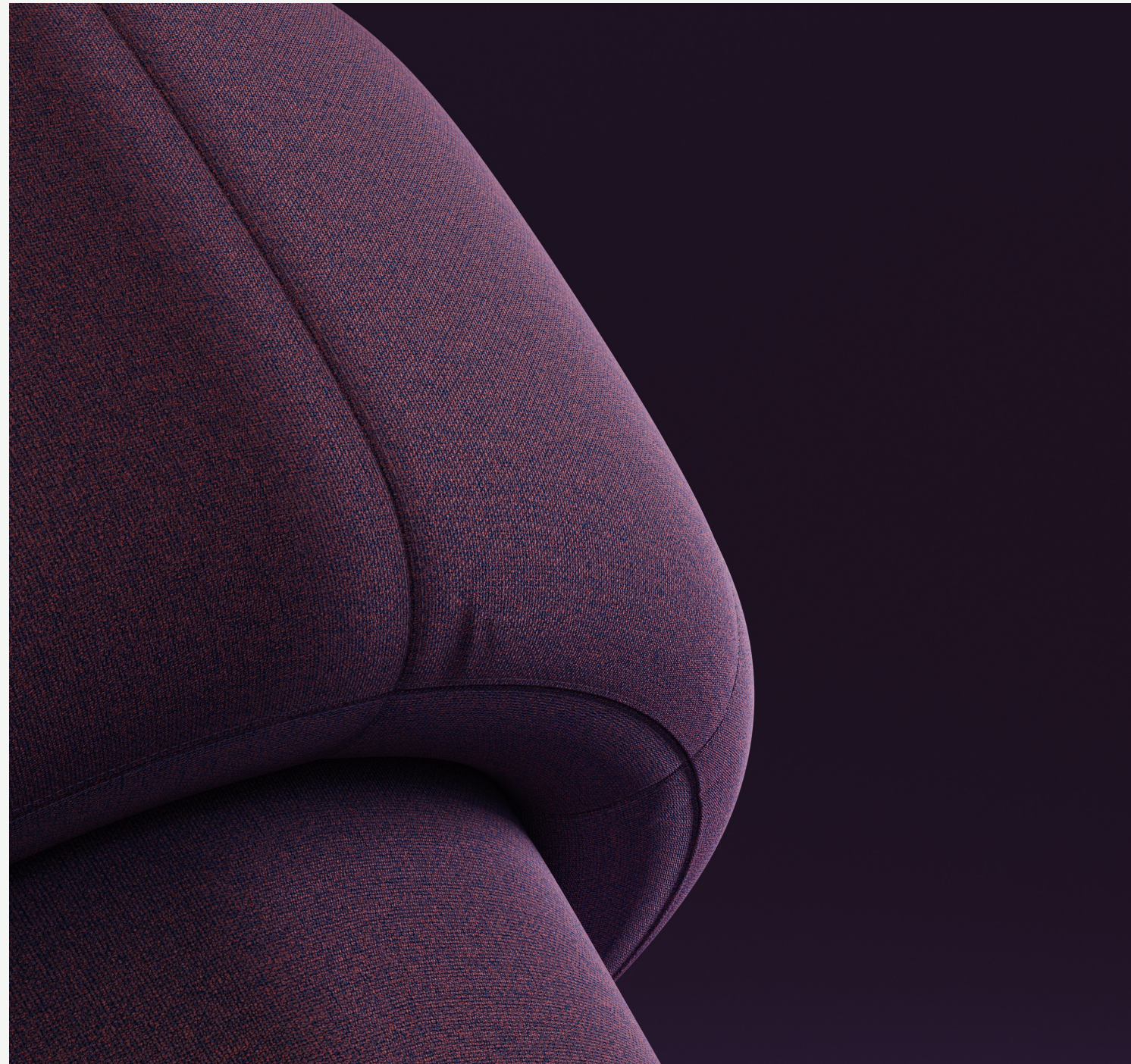
Indoor



Ora

Lounge

Indoor



Offering three distinct upholstery options, ORA provides myriad choices for customization: different upholstery for the seat and back, separate upholstery for the inner and outer parts of the backrest, and a fully uniform upholstery - all available in a range of color options from the palette.



Ora

Lounge

Indoor

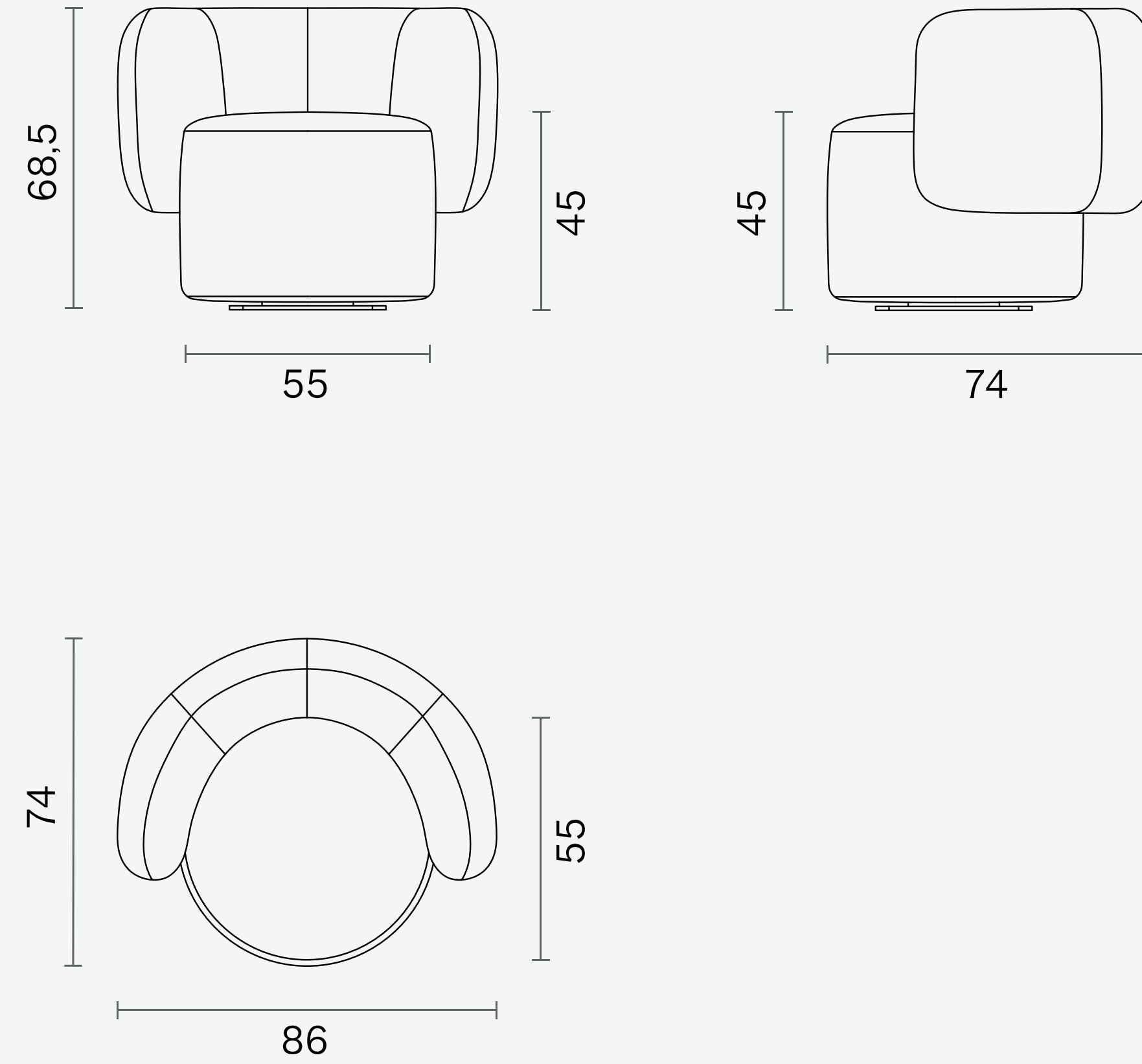


Ora

Lounge

Indoor

Dimensions (cm)



Downloads

2D & 3D FILES



PRODUCT IMAGES



CERTIFICATES



You can run this product
with following system:



Ora

Lounge

Indoor

Technical Specifications

Package Dimensions (cm) Quantity in box: 1	80x80x80
Volume m ³	0,52
Weight kg	18
Structure	Metal Structure + Plywood + Foam
Seat	Plywood + Foam

S: Swivel

CARE AND MAINTENANCE



Care and maintenance instructions & warranty certificate **click and download**

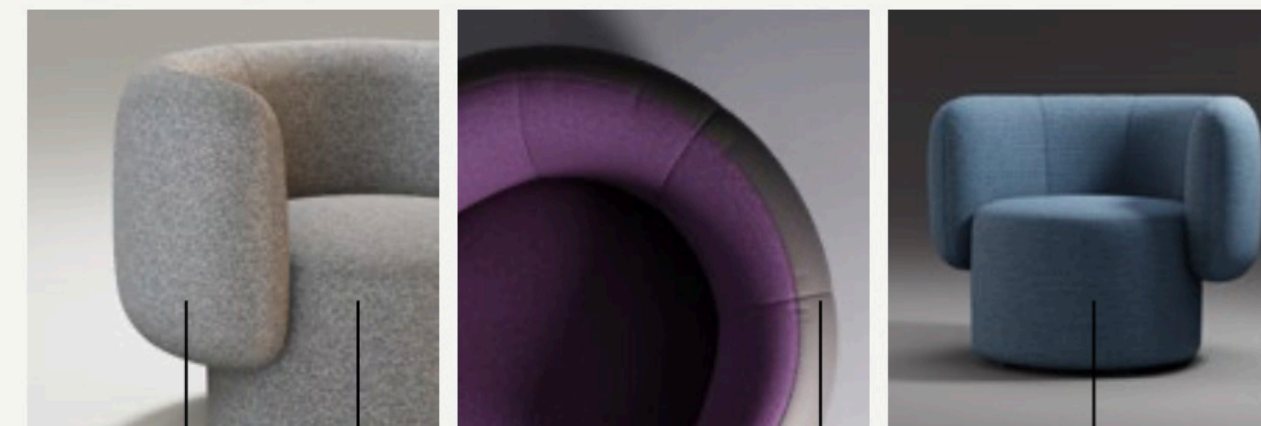
Ora

Upholstery

Fabric, Leather, Artificial Leather.
COM and COL options are also available

textile fabric yardage (mt)	Full	4
	Seat	1,9
	Back Inside	0,9 0,9
real leather square meter (m ²)	Full	9
	Seat	2,85
	Back Inside	1,35 1,35

3 Upholstery Options



Only
back

Only
seat

Outer
back

All as
one

FABRIC & LEATHER CATALOGUE



More options are downloadable in the catalogue

Lounge

Indoor



Lounge

Indoor



www.bt.design

Showroom

Istanbul
istanbul@bt.design

Ankara
ankara@bt.design

Londra
london@bt.design

Factory

Istanbul
fabrika@bt.design

Bulgaria
europa@bt.design

Export

export@bt.design