

# Most

# B&T



Most

Sofa

Indoor



**Most**

Sofa

Indoor



**Most**

Sofa

Indoor

## Most

Most sofa is the “most” elegant element in exquisite and simple interior design settings with the fineness in its armrests and foot details.

Most

Sofa

Indoor





With its armchair, 2-seater and 3-seater sofa alternatives, Most series stand out as a comfortable sofa group for places where elegant and delicate details are forefront. In a variety of areas ranging from executive offices to social spaces, hotel lobbies to private practice lounges, they can be modified in size and in upholstery accordingly.

While the seat cushions are stationary, backrest cushions are adjustable. The toss pillows, which reinforce the feeling of comfort and belonging, complement the aesthetic integrity of the sofa.

Designer



Alp Nuhoğlu

Most

Sofa

Indoor





Most

Sofa



Indoor

## Finish Options

A rich range of material choices is provided for Most series to create the best match within interior style. All colours in B&T Design's metal coating catalogues are available for metal surfaces of the series.

### Metal Finishes

#### Electrostatic Powder Coating



White  
RAL 9016

Silk Grey  
RAL 7044

Precious Sand

Taupe  
G 876

Nordic Lichen



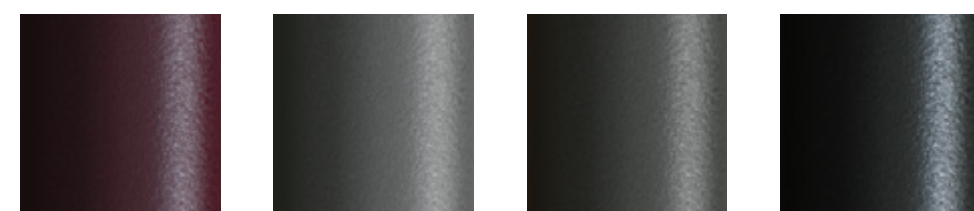
Green Grey  
RAL 7009

Cement Grey  
RAL 7033

Beige Red  
RAL 3012

Terracotta  
RAL 8004

Pale Brown  
RAL 8025



Black Red  
RAL 3007

Grey  
G 458

Anthracite  
RAL 7016

Black  
RAL 9005

### Upholstery

Fabric, Leather, Artical Leather. COM and COL options are also available.

#### armchair

textile fabric yardage (mt)	4,5
real leather square meter (m <sup>2</sup> )	10,3

#### triple

textile fabric yardage (mt)	8,5
real leather square meter (m <sup>2</sup> )	19,5

#### double

textile fabric yardage (mt)	6
real leather square meter (m <sup>2</sup> )	13,8

More options are downloadable in the catalogues

MATERIAL CATALOGUE 

FABRIC & LEATHER CATALOGUE 



Most

Sofa

Indoor

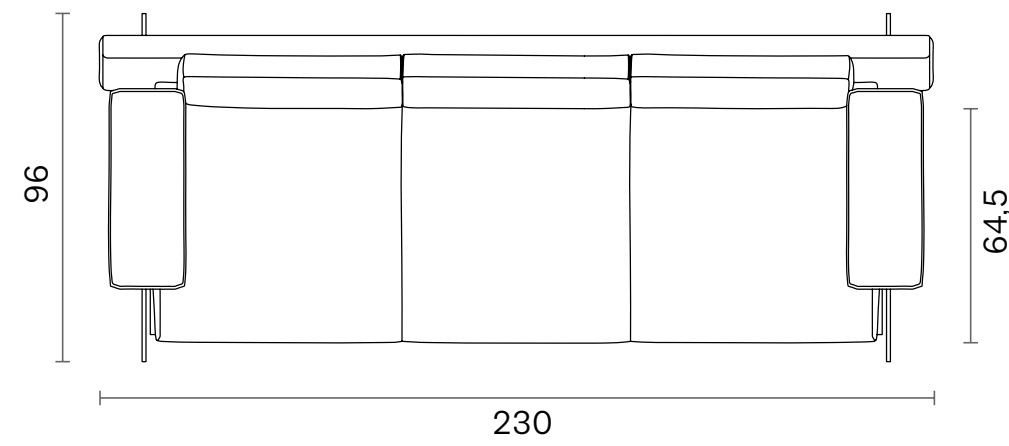
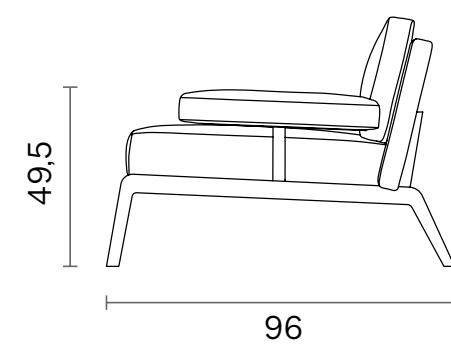
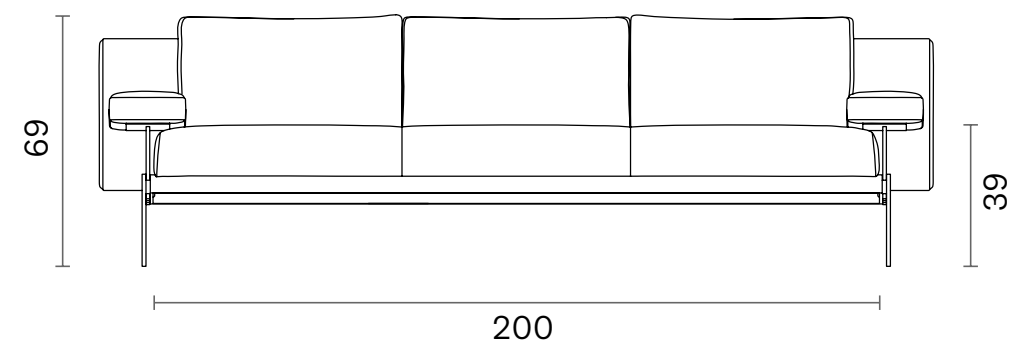


Most

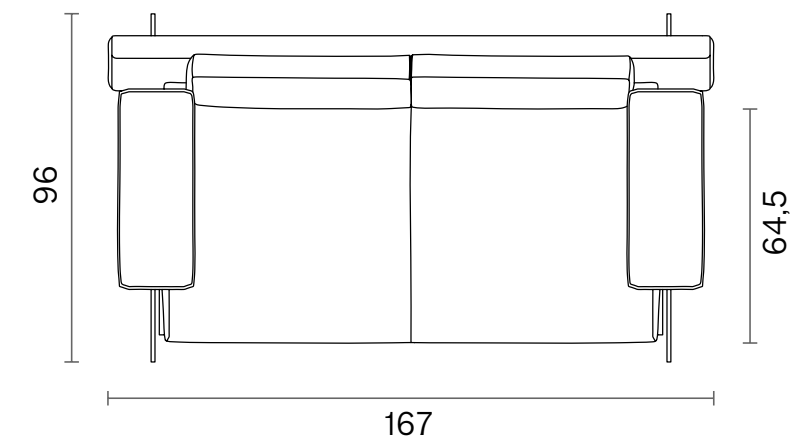
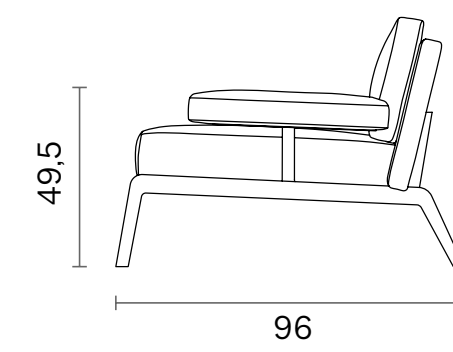
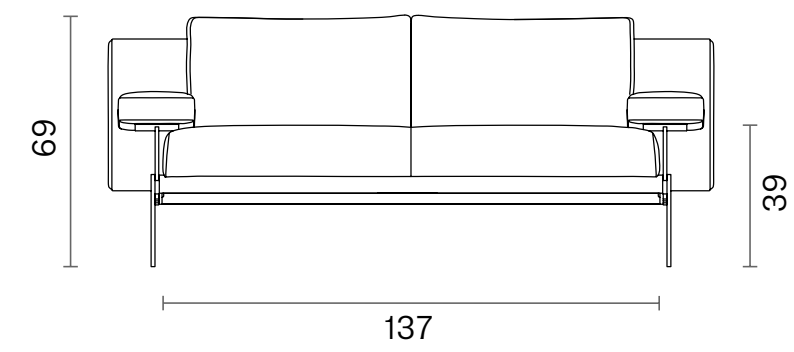
Sofa

Indoor

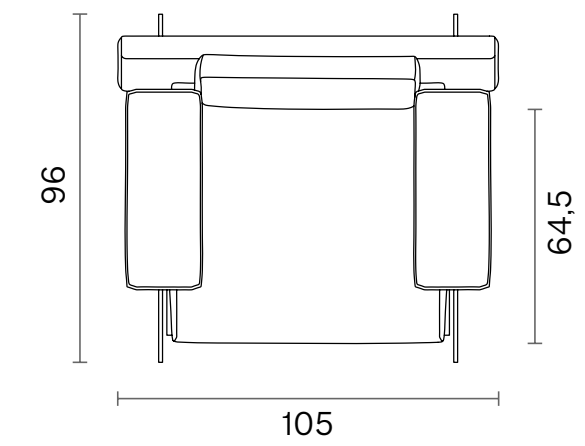
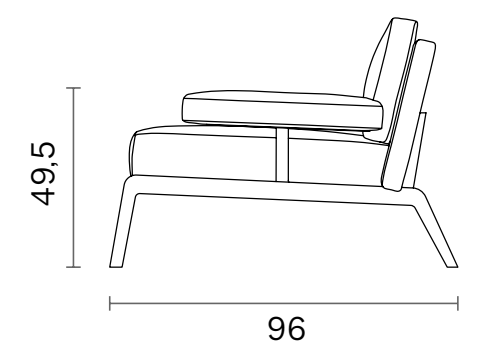
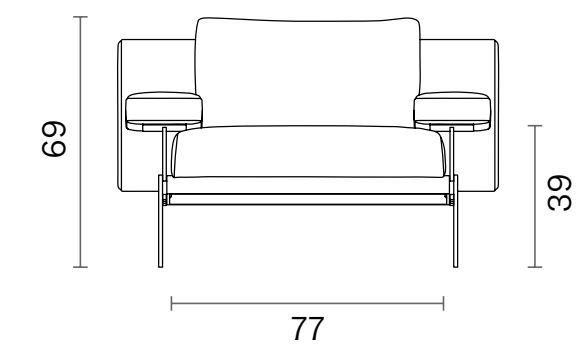
**TRIPLE**



**DOUBLE**



**ARMCHAIR**



**Most**

Sofa

Indoor

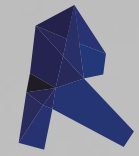
## Downloads

2D dwg, 3ds, 3dsMax, FBX, Rhino, Sketchup files **click and download**

CAD FILES & PHOTOS



You can run this product with following systems:



AUTODESK  
REVIT



Most

Sofa

Indoor

## Technical Specifications

Package Dimensions	Armchair Double Triple	115x103x78 cm 175x103x78 cm 240x103x78 cm
Quantity in box: 1		
Volume	Armchair Double Triple	0,92 m <sup>3</sup> 1,41 m <sup>3</sup> 1,93 m <sup>3</sup>
Weight	Armchair Double Triple	25 kg 40 kg 55 kg
Structure	Metal + Electrostatic Powder Coated	
Seat	Solid Beechwood + HR Foam	
Back	Ball Fibre	
Upholstery	Fabric + Leather Fixed Cover	
Warranty	2 years	

### CARE AND MAINTENANCE



Care and maintenance instructions & warranty certificate **Click and download.**

**Most**

Sofa

Indoor





[www.bt.design](http://www.bt.design)

## Showroom

### Istanbul

+90 212 220 42 20  
[istanbul@bt.design](mailto:istanbul@bt.design)

### Ankara

+90 312 241 00 43  
[ankara@bt.design](mailto:ankara@bt.design)

## Factory

### Istanbul

+90 262 751 27 09  
[fabrika@bt.design](mailto:fabrika@bt.design)

### Bulgaria

[europe@bt.design](mailto:europe@bt.design)

## Export

+90 212 220 26 97  
[export@bt.design](mailto:export@bt.design)