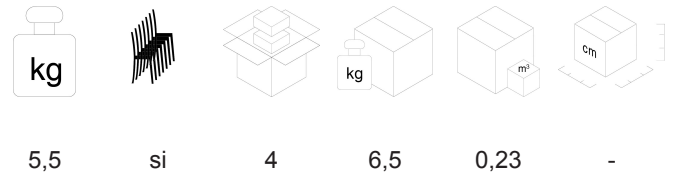
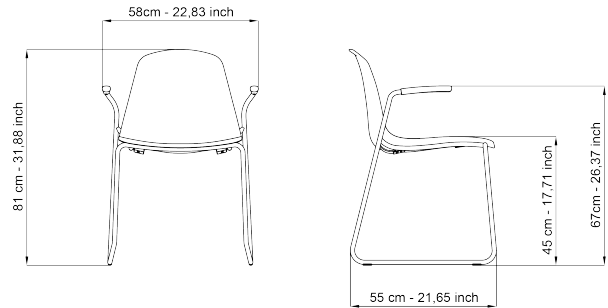


EPOCA

Design Stefano Getzel

article: EP3B
code: 4EPFN200



Warranty: 5 years

DESCRIPTION

Chair in polypropylene, black painted cantilever structure with armrests.

FINISHING: white, black, gray, green, dove-gray and lobster pink.

SEAT/BACKREST: polypropylene shell polished finishing on the back and embossed with anti-slip treatment on the front.

STRUCTURE: cantilever high resistant steel base, Ø 16 mm, black painted.

MAINTENANCE

CHROME PLATED PARTS: Clean with a soft cloth with some neutral detergent to polish the steel.

PAINTED PARTS: Clean with soft cloth dampened slightly with water and dry with a dry cloth.

PLASTIC PARTS: Use soft cloth dampened slightly with water, without insistance, then dry with a dry cloth.

ALUMINIUM PARTS: To clean use only specific products to polish metal parts in order to reduce the natural oxidation due to the hands contact. The aluminum parts tarnish naturally. LUXY recommends not using chemical detergents.

MATERIAL AND RECYCLABILITY

