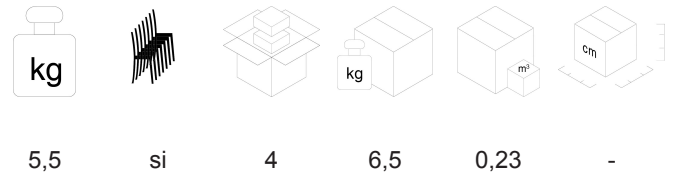
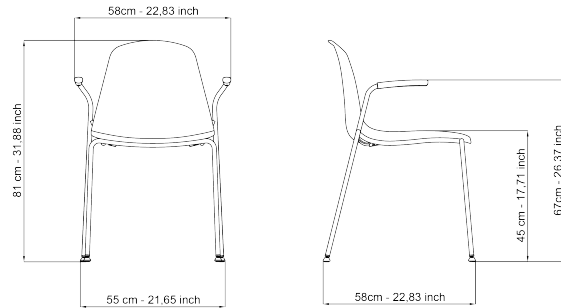


EPOCA

Design Stefano Getzel

article: EP1B
code: 4EPFN68



Warranty: 5 years

DESCRIPTION

Chair in polypropylene, 4 legs, black coated structure with armrests.

FINISHING: white, black, gray, green, dove-gray and lobster pink.

SEAT/BACKREST: polypropylene shell polished finishing on the back and embossed with anti-slip treatment on the front.

STRUCTURE: 4 legs in high resistant steel Ø 16 mm with levelling glides, black painted.

MAINTENANCE

CHROME PLATED PARTS: Clean with a soft cloth with some neutral detergent to polish the steel.

PAINTED PARTS: Clean with soft cloth dampened slightly with water and dry with a dry cloth.

PLASTIC PARTS: Use soft cloth dampened slightly with water, without insistence, then dry with a dry cloth.

ALUMINIUM PARTS: To clean use only specific products to polish metal parts in order to reduce the natural oxidation due to the hands contact. The aluminum parts tarnish naturally. LUXY recommends not using chemical detergents.

FABRIC: Fabric: pour some drops of neutral detergent on a damp and wringed out cloth, rub gently on the seat and leave it dry. See maintenance instructions on LUXY upholstery book. Luxy recommends using ecological products.

LEATHER: Leather is a natural product. Imperfections give to the material its unmistakable aspect. In presence of marks, they have to be removed with a soft wool cloth. In case of ingrained stains, use only products for leather coloured with aniline. Do not expose leather to direct sunlight. Luxy recommends using ecological products.

MATERIAL AND RECICLABILITY

