

# Dion

# B&T



Dion

Chair

Indoor

## Dion

Dion is a versatile solid wood chair series designed for both living spaces and social settings. With its refined material combinations and precise detailing, it brings a quiet elegance to any interior.

The series includes two models, available with or without armrests. The seat can be upholstered in fabric or leather, while the backrest is offered in a veneered wood finish or fully upholstered for a softer, unified look.



Designer

B&T Design Studio - 2020

Dion

Chair



# Finish Options

A rich range of material choices is provided for Dion series to create the best match within interior style.

## Ashwood Finishes



## Upholstery

Fabric, Leather, Artificial Leather.  
COM and COL options are also available.

	Classic	Up
textile fabric (mt)	0,7	0,7
real leather (m <sup>2</sup> )	1,05	1,05



More options are downloadable in the catalogues

[MATERIAL CATALOGUE](#) ↓

[FABRIC & LEATHER CATALOGUE](#) ↓

Models of Product

**Dion**  
with Arm

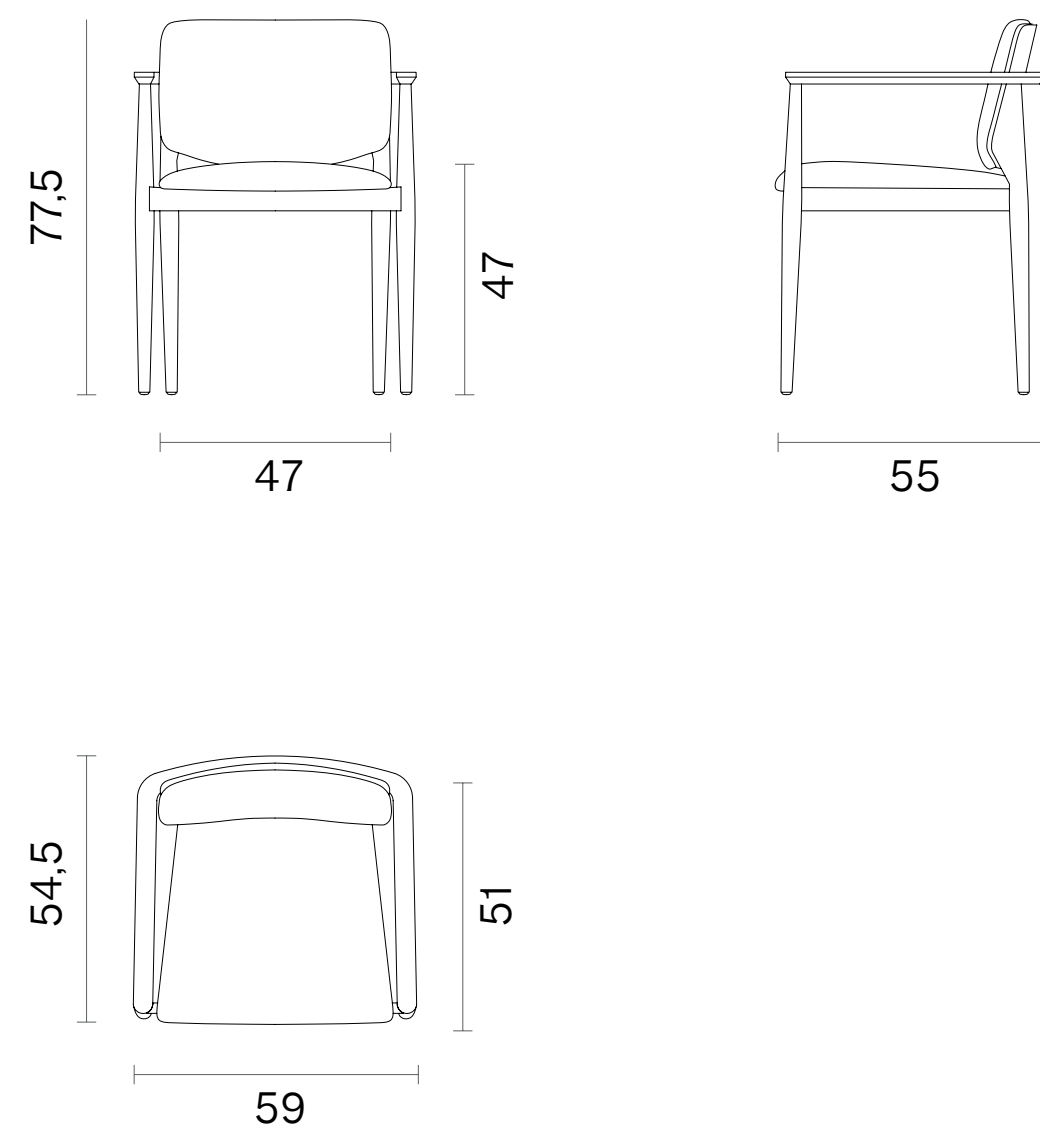


**Dion**  
without Arm

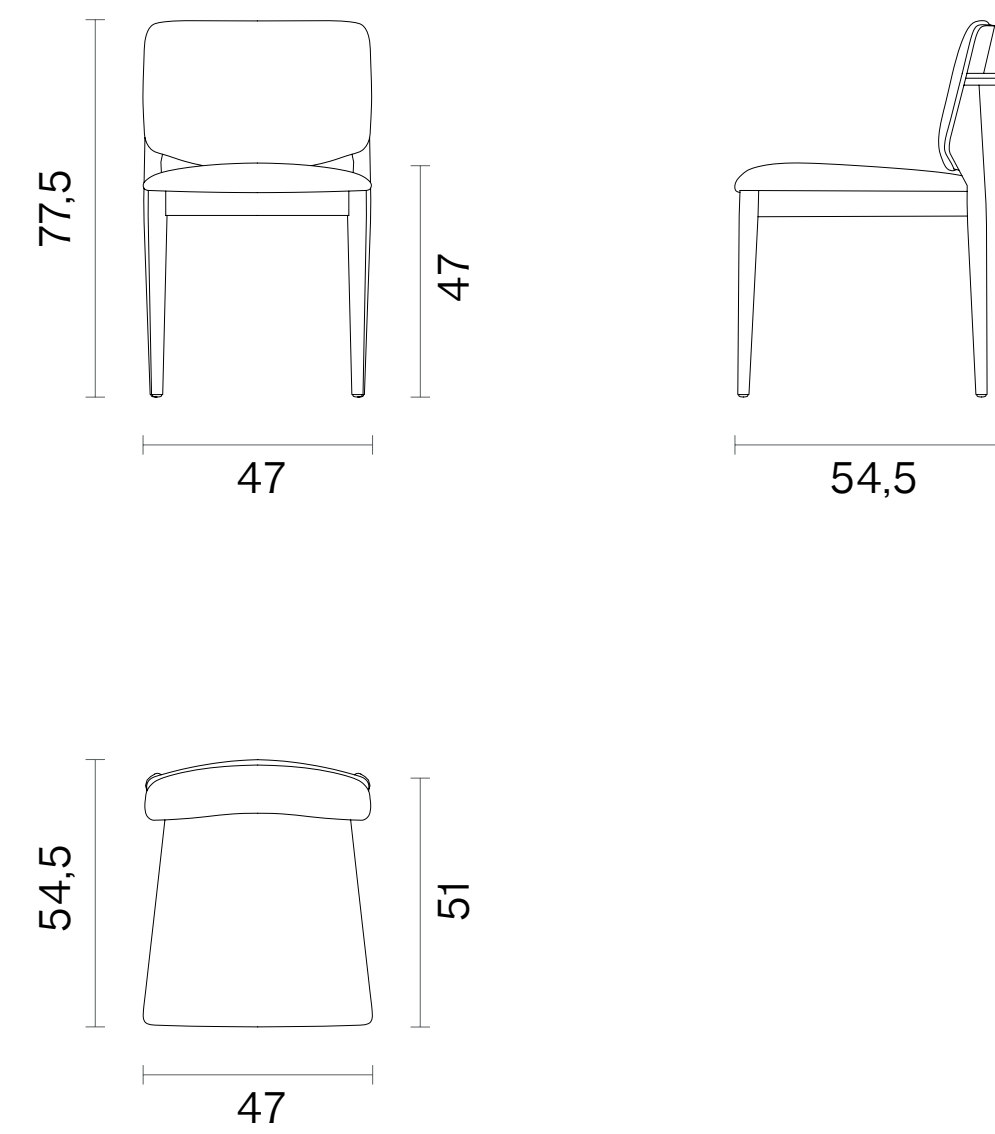


Dimensions (cm)

**Dion**  
with Arm



**Dion**  
without Arm



## Downloads

2D & 3D FILES



PRODUCT IMAGES



CERTIFICATES



You can run this product with following system:



Dion

## Technical Specifications

## Chair

Package Dimensions (cm)	With arm Without arm	62x59x86 quantity in box: 1 62x59x86 quantity in box: 1
Volume (m <sup>3</sup> )	With arm Without arm	0.32 0.32
Weight (kg)	With arm Without arm	8 7
Structure	Solid Ashwood	
Seat	HR Foam	

CARE AND MAINTENANCE



Care and maintenance instructions & warranty certificate **click and download**

Chair

Indoor



[www.bt.design](http://www.bt.design)

## Showroom

**Istanbul**  
istanbul@bt.design

**Ankara**  
ankara@bt.design

**London**  
london@bt.design

## Factory

**Istanbul**  
fabrika@bt.design

**Bulgaria**  
europe@bt.design

## Export

export@bt.design